

# Trouble shooting

## Manual jacks

---

### The jack will not release / lower load

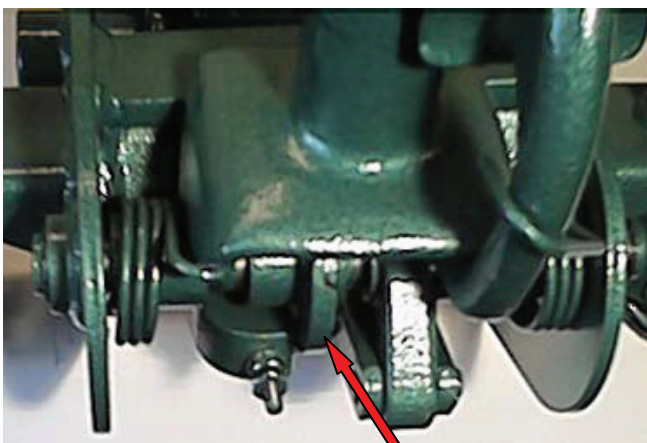
Thank you for contacting us and for letting us participate in resolving the problem.

Check chassis / lifting arm for foreign objects:

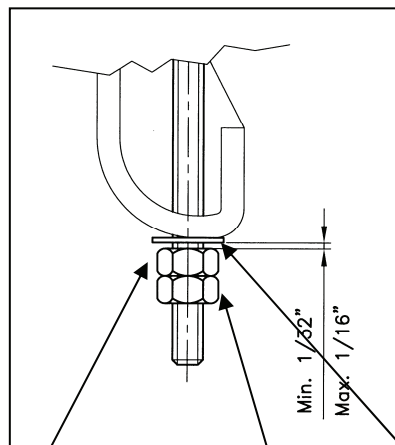
Make sure that no foreign objects (such as screws, nuts etc.) are trapped between chassis and lifting arm / parallelogram rods and thereby preventing the lifting arm from lowering to minimum position.

Adjusting the release system - release rod / release hub:

1. Make sure that the handle is in the neutral position, upright and ready for use.
2. Loosen the outer nut (C) (non-return nut) from the inner nut (B).
3. Use your left thumb to press the release hub (A) gently up against the release washer (D). While holding the release hub in this position, tighten the inner nut (B) by hand, gently until the release washer (D) has no slack sideways.
4. Turn the inner nut (B) 1 time counter clock wise. While securing the inner nut (B) in this position, refit the outer nut (C) (non-return nut) and turn it clockwise until it tightens up against the inner nut (B), and thereby locks the inner nut in position.



A



B

C

D

A: Release Hub

B: Inner Nut

C: Outer/Lock Nut  
(Non-return Nut)

D: Release Washer