

CALFINN

COMPAC

Air Hydraulic Jacks

Air hydraulic jack designed specifically for lifting agricultural machinery

- Heavy duty 1-stage cylinder with long lifting stroke.
- Maximum height 580 mm without extensions.
- Maximum height 780 mm by utilization of the 3 extensions.
- Standard with extensions: 120, 70 and 10 mm.



Compac Denmark
Established in 1946



A28-HC

Heavy Vehicle Air Hydraulic Jack



A28-HC

Ergonomically designed handle for operator comfort.
Rubber coated.

A3216-C

Durable hard chrome pistons.

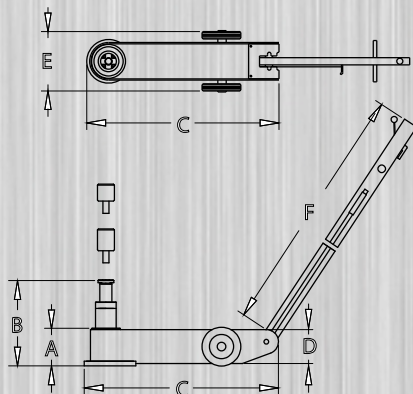
Short design for easy manoeuvrability.

Capacity 16 ton.

Capacity 32 ton.

Min. height 150 mm.

Standard with extensions.
A3216-C: 10, 70 and 120 mm.
Other models: 50 and 100 mm.



Model	Max (Kg x 1000)	A (mm)	B (mm)	C (mm)	D (mm)	E (mm)	F (mm)	Kg
AH28-HC	28	350	580	735	350	280	1230	58
A3216-C	32/16	150	300	495	168	310	1230	43

For accessories available for this jack
Please enquire or visit www.calfinn.com.au